

Ref: 39.010

Features:

- AC input range selectable by switch
- Withstand 300Vac surge input for 5 seconds
- Protections: short circuit / overload / over voltage / over temperature
- Cooling by free air convection
- Operating altitude up to 5000m
- Withstand 5G vibration test
- Degree of protection: IP20
- Over voltage category III



Output	Power	150W
	Voltage (V)	12V
	Rated current	12.5A
	Current range	0 ~ 12.5A
	Ripple and noise (max.)	150mV
	Voltage adj. range	10.2 ~ 13.8V
	Voltage tolerance	± 1.0%
	Line regulation	± 0.5%
	Load regulation	± 0.5%
	Setup, rise time	500ms, 30ms / 230VAC - 500ms, 30ms / 115VAC at full load
Hold up time	40ms / 230VAC - 35ms / 115VAC at full load	
Input	Voltage range	85 ~ 132VAC - 170~264VDC by switch / 240 ~ 370VDC (switch on 230VAC)
	Frequency range	47~63Hz
	Efficiency	87.5%
	AC current	3A / 115VAC - 1.7A / 230VAC
	Inrush current	cold star 60A / 230VAC
	Leakage current	< 0.7mA / 240VAC
Protection	Overload	110 ~ 140%
	Over voltage	13.8 ~ 16.2V (shut down o/p voltage, re-power on the recover)
	Over temperature	Shut down o/p voltage, recovers automatically after temperature goes down
Environment	Working temperature	-30 ~ +70°C
	Working humidity	20 ~ 90% RH non-condensing
	Storage temperature humidity	-40 ~ +85°C, 10 ~ 95% RH
	Temperature coefficient	± 0.03% °C (0 ~ 50°C)
	Vibration	10 ~ 500Hz, 5G 10min / 1cycle, period for 60 min. each along X, Y, Z axes
	Degree of protection	IP20
Other	MTBF	601K hrs min. MIL-HDBK-217F (25°C)
	Dimension	159x97x30mm
	Packing	1 unit
	Guarantee	3 years



Assembly and Safety Information

Applied standards CE:

- EN 62368-1
- EN 61558-1-1
- EN 61558-1-2
- EN 61558-1-16
- EN 61000-3-2
- EN 61000-3-3
- EN 61000-4-2
- EN 61000-4-3
- EN 61000-4-4
- EN 61000-4-5
- EN 61000-4-6
- EN 61000-4-8
- EN 61000-4-11
- EN 61000-6-2
- EN 55032
- EN 55014
- EN 55024
- EN 60335-1
- EN 62233

Applied standards CB:

- IEC 60950-1

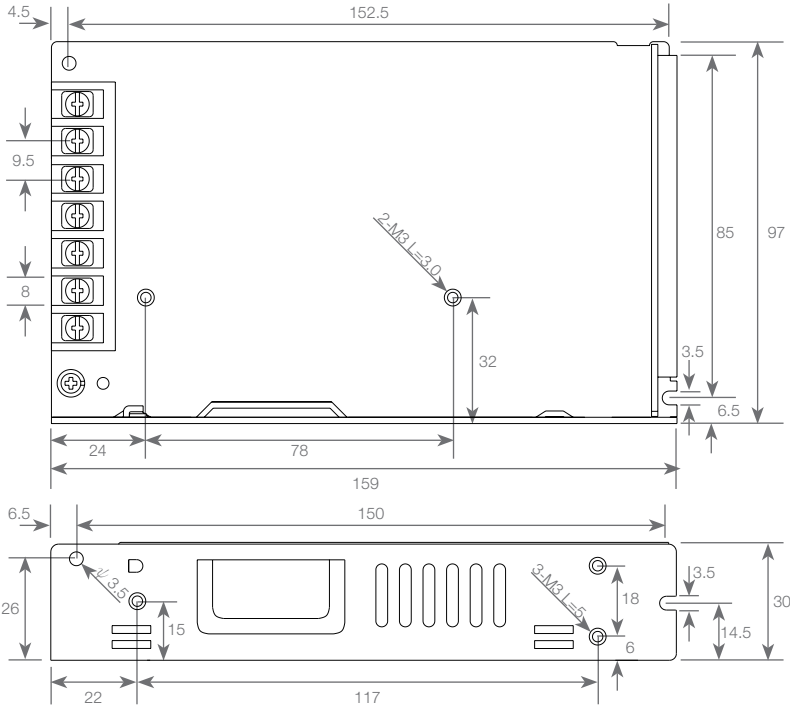
Applied standards CCC:

- GB 4943.1
- GB/T 9254

Applied standards UL:

- UL 62368-1

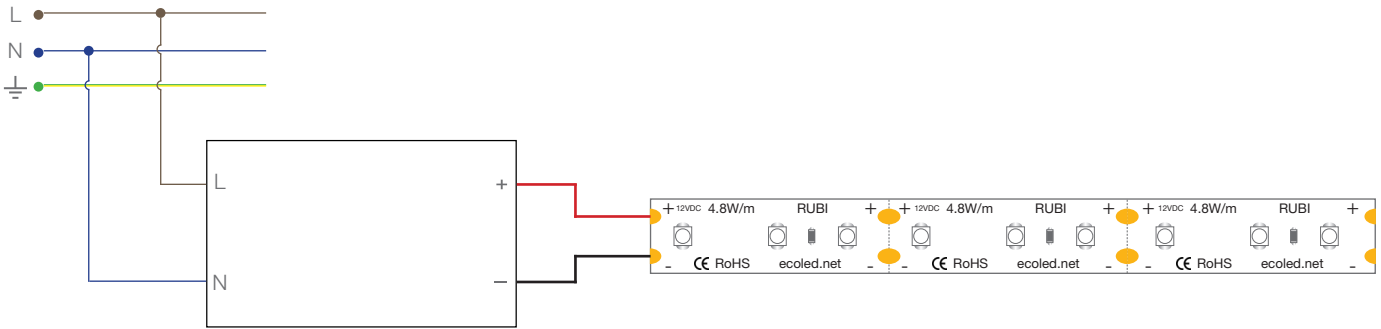
Measurements:



Terminal Pin No. Assignment

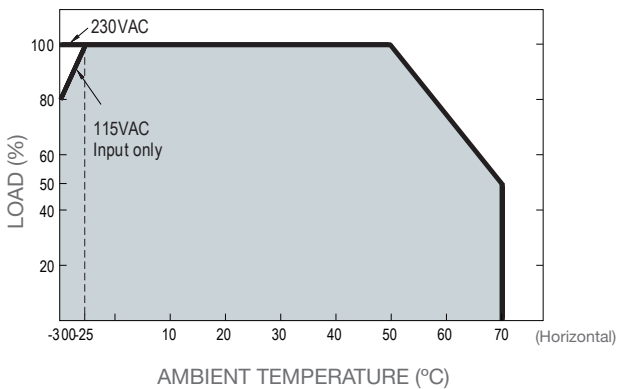
Pin No.	Assignment	In No.	Assignment
1	AC/L	4.5	DC OUTPUT -V
2	AC/N	6.7	DC OUTPUT +V
3	FG \perp		

Diagram:



Type performance graphs

Derating Curve



Static Characteristics

